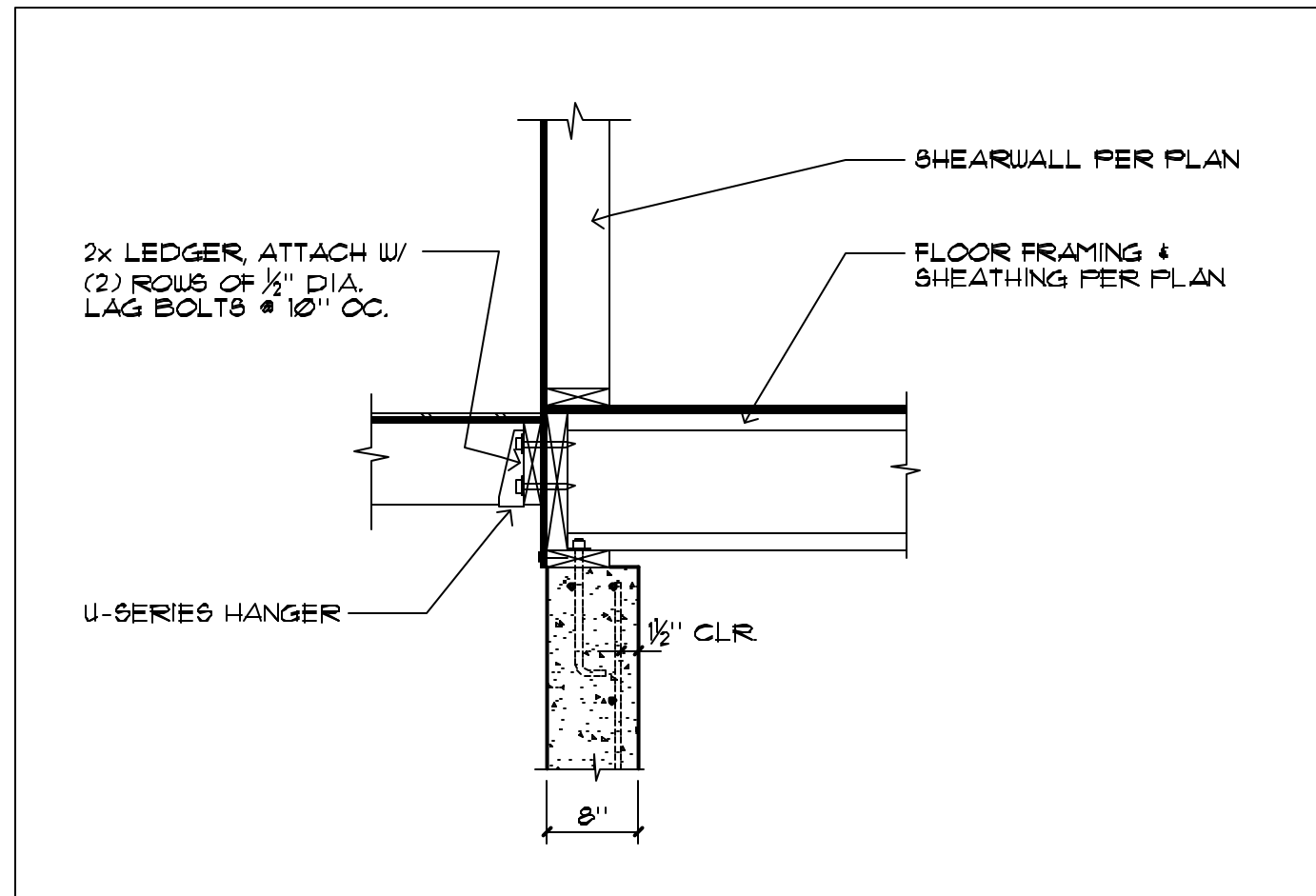
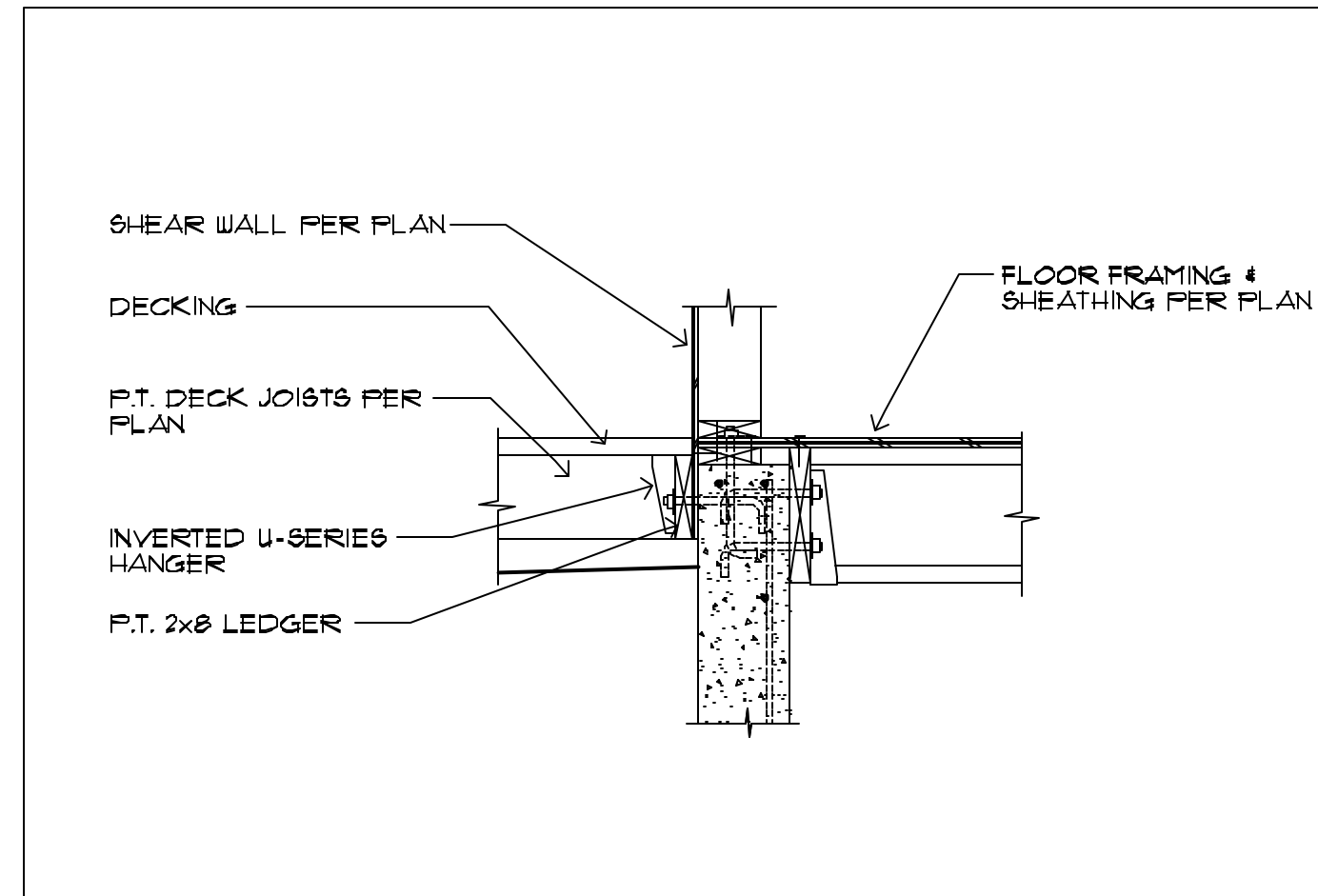


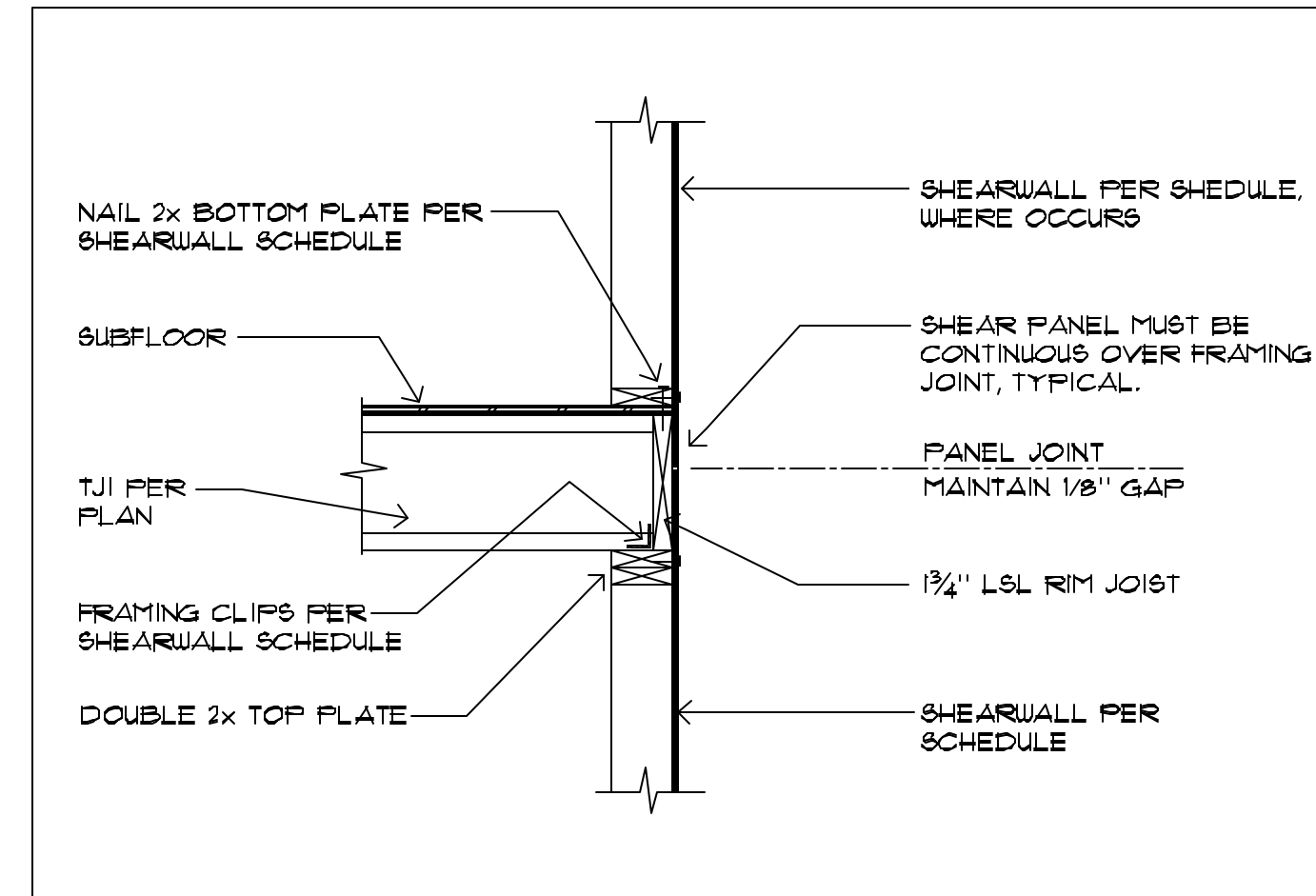
M TYP. STEPPED FOOTING
 3/4" = 1'-0"



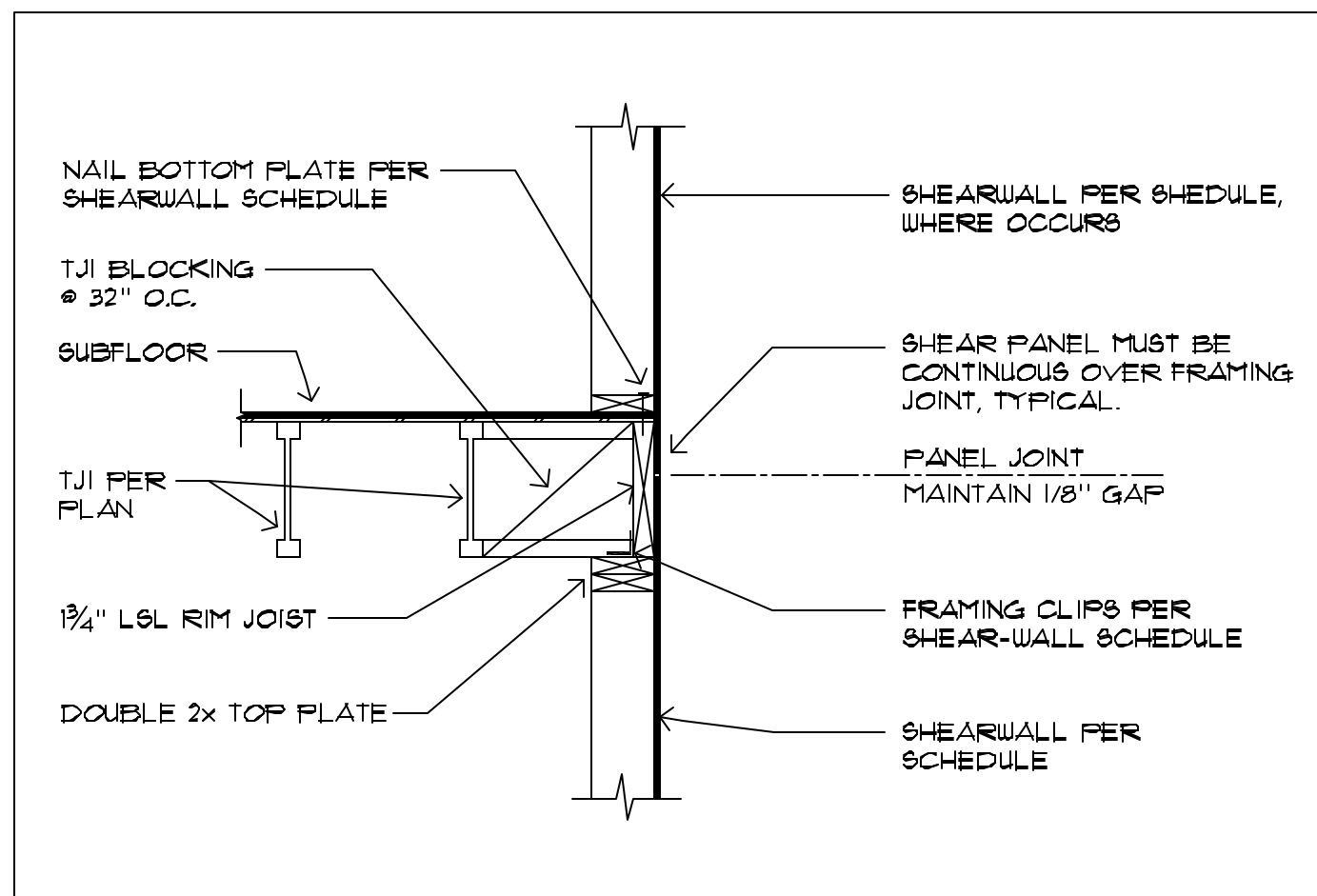
N DECK ATTACHMENT
 3/4" = 1'-0"



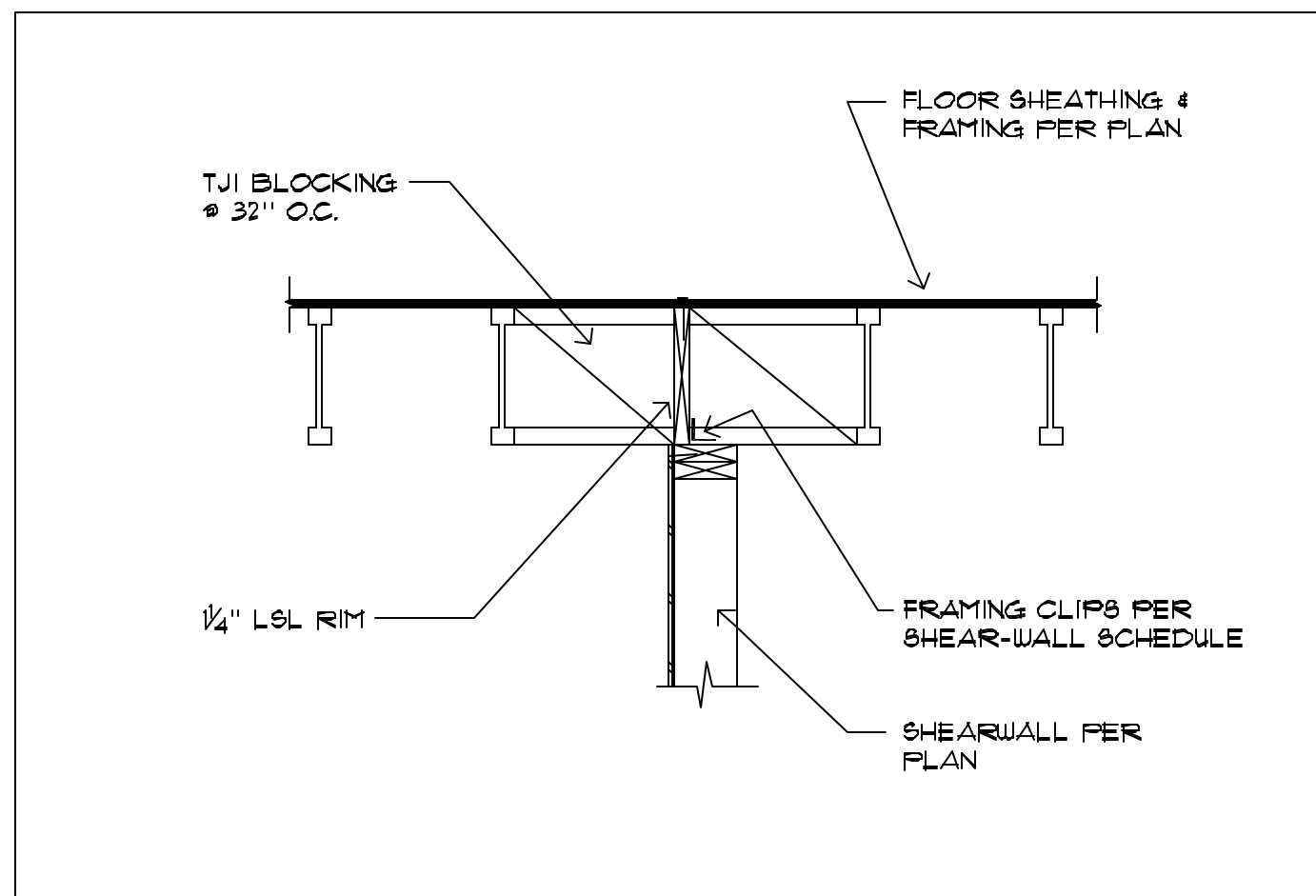
O DECK ATTACHMENT
 3/4" = 1'-0"



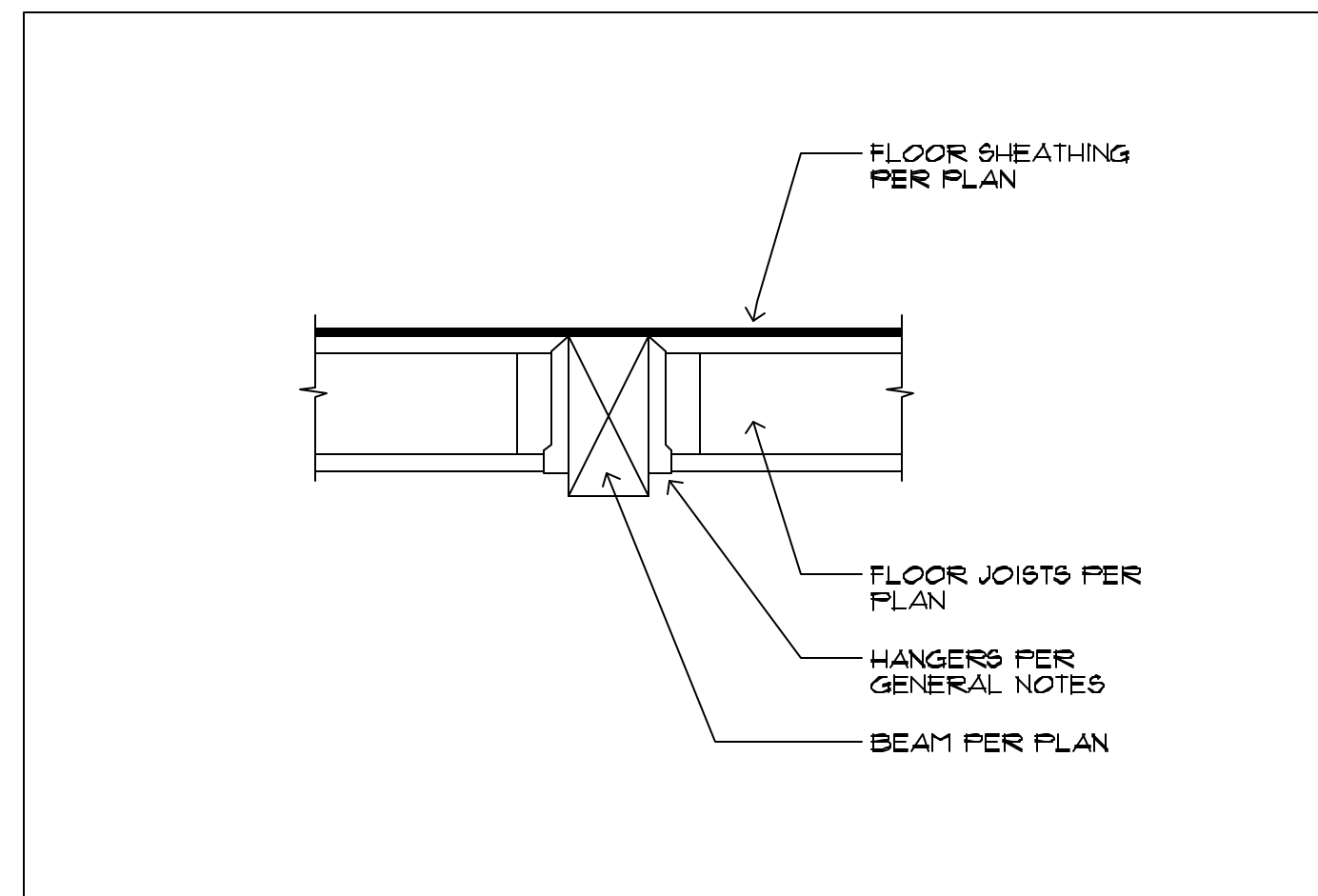
P SHEAR DIAPHRAGM
 3/4" = 1'-0"



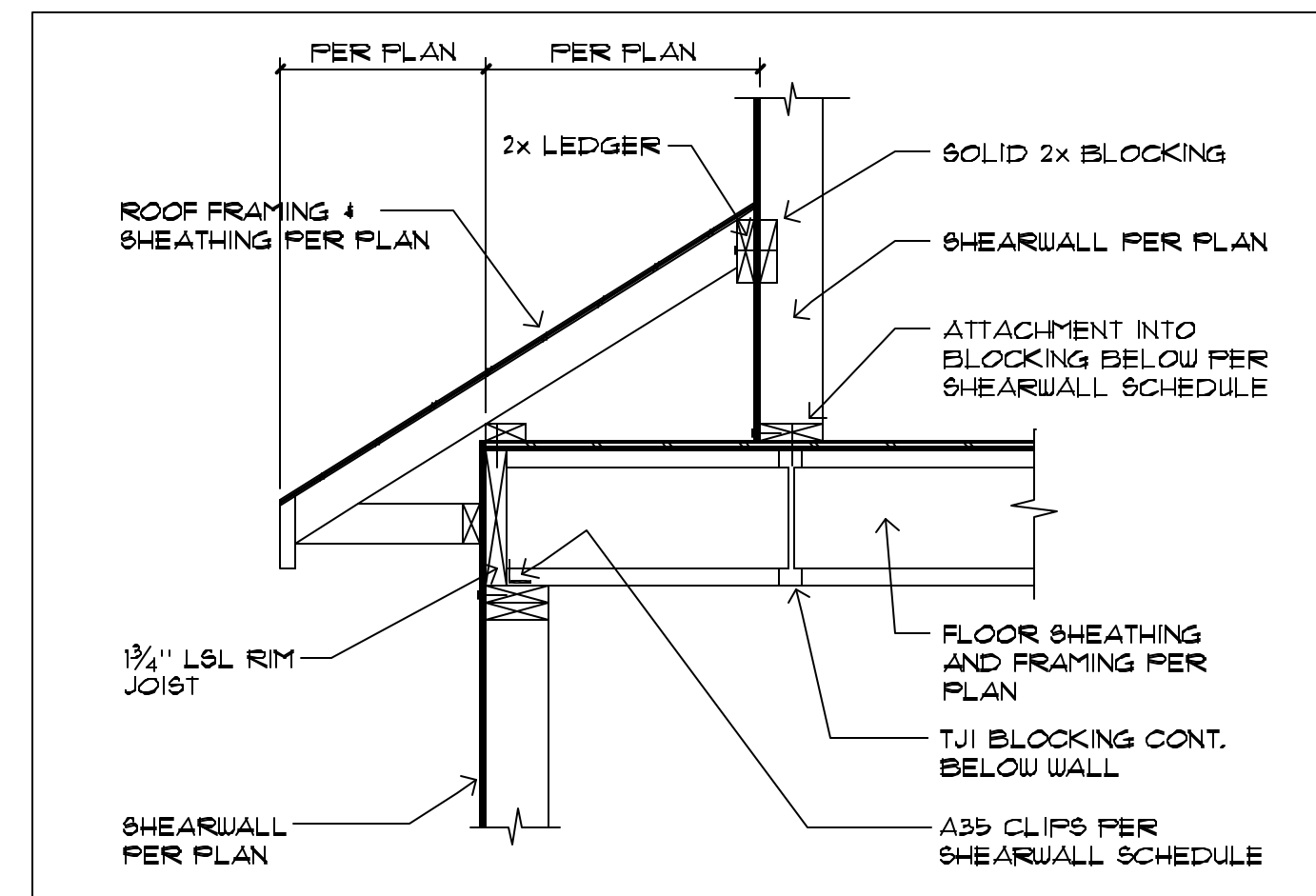
Q SHEAR DIAPHRAGM
 3/4" = 1'-0"



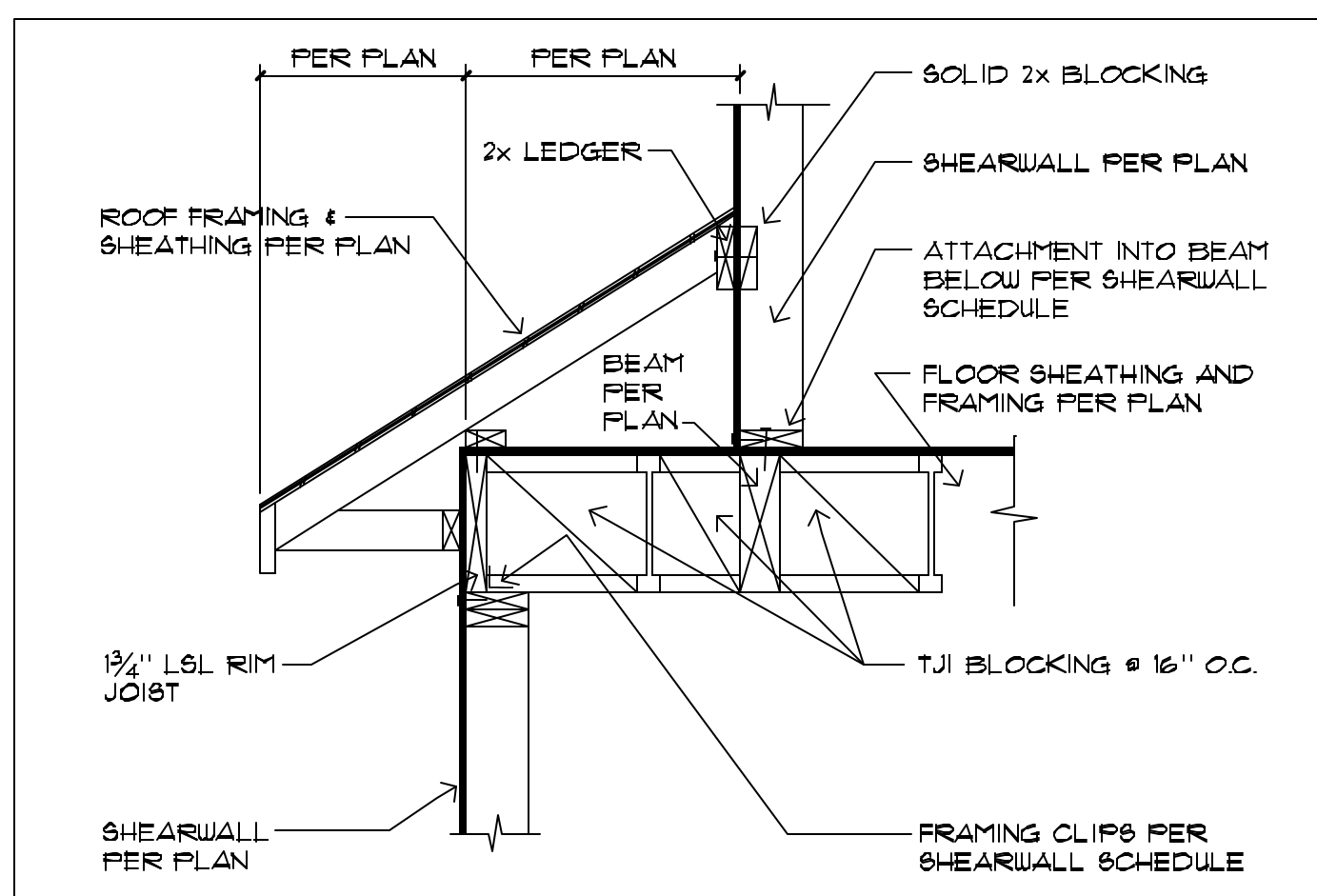
R TOP OF INTERIOR SHEARWALL
 3/4" = 1'-0"



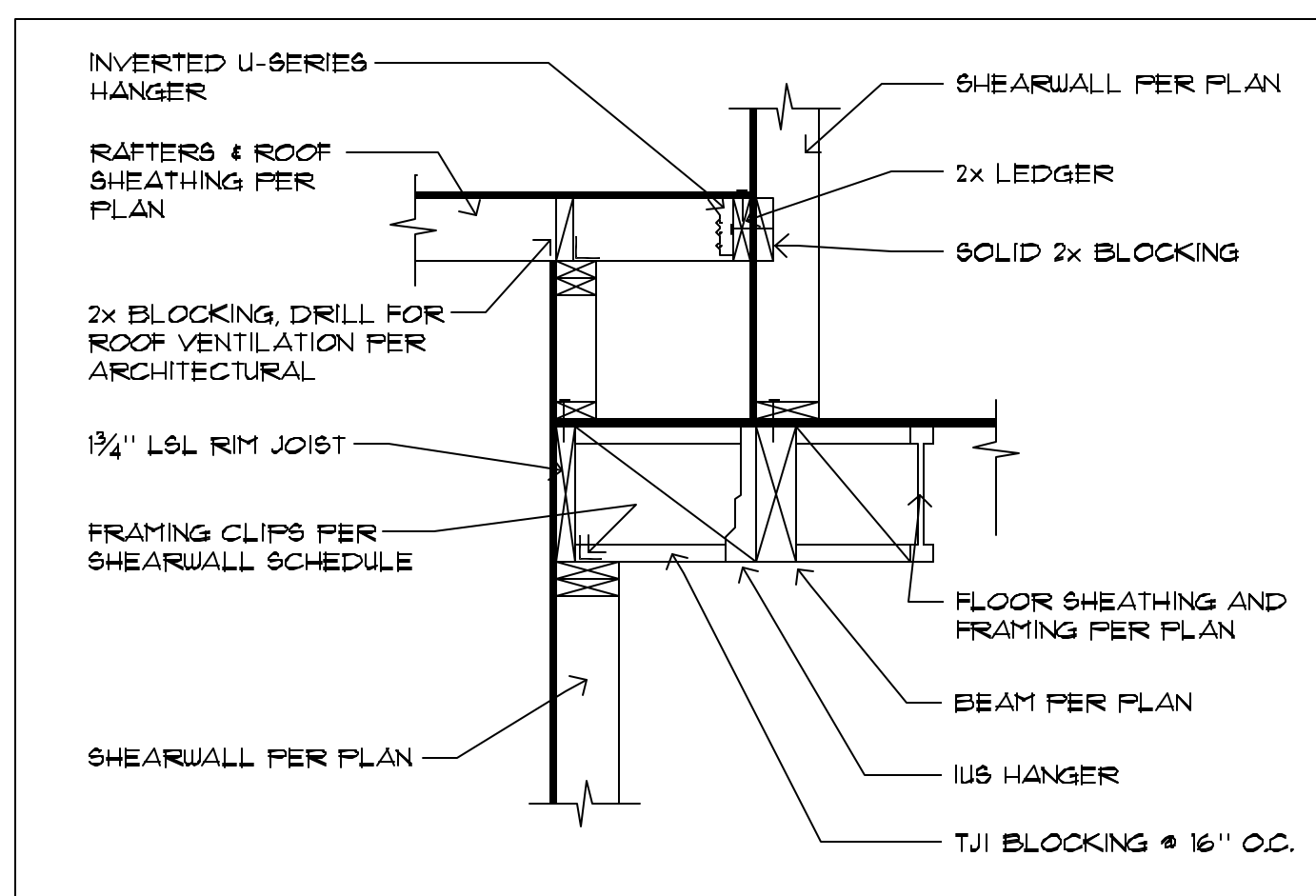
S TYP. FLUSH BEAM
 3/4" = 1'-0"



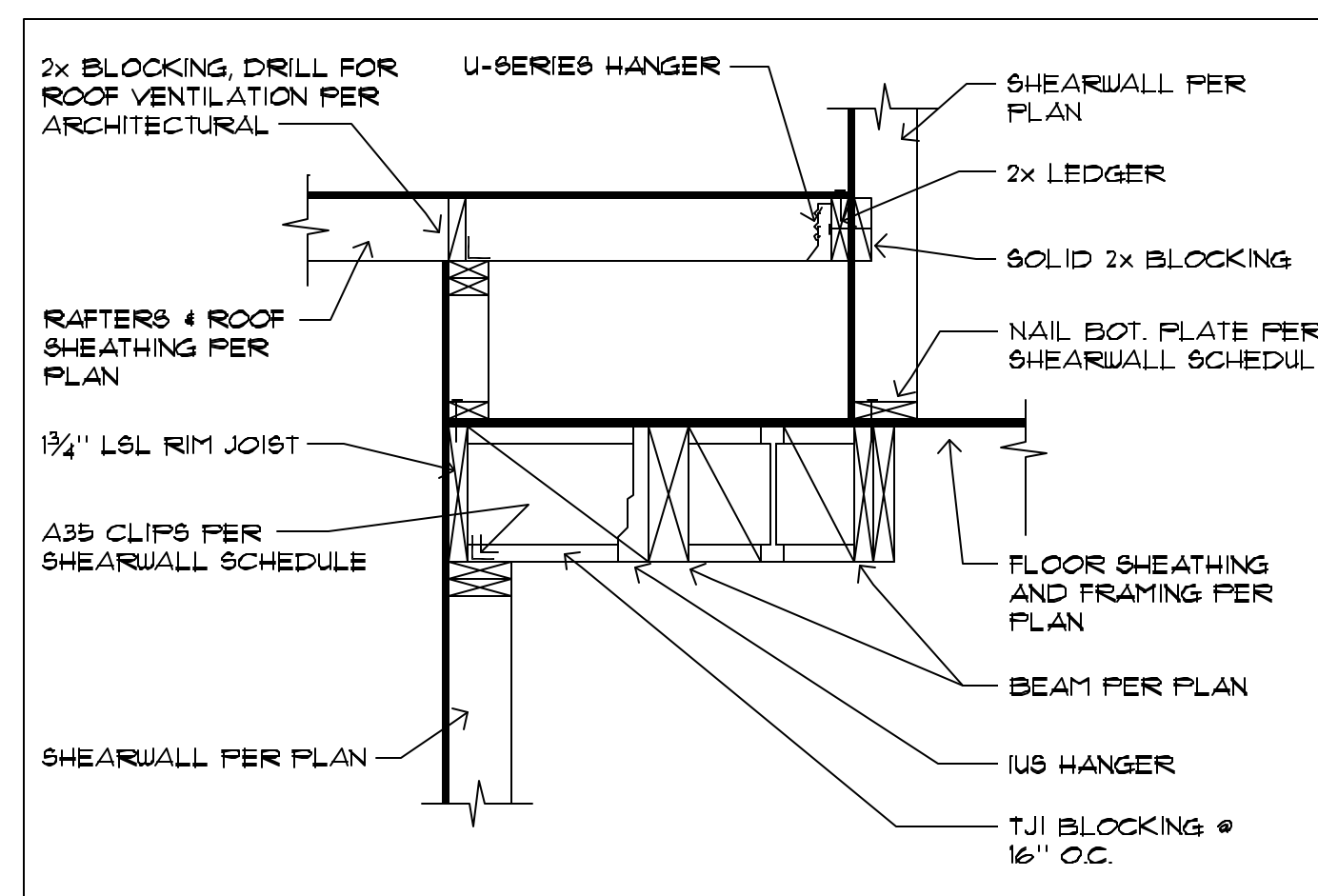
T FRAMING AT ROOF
 3/4" = 1'-0"



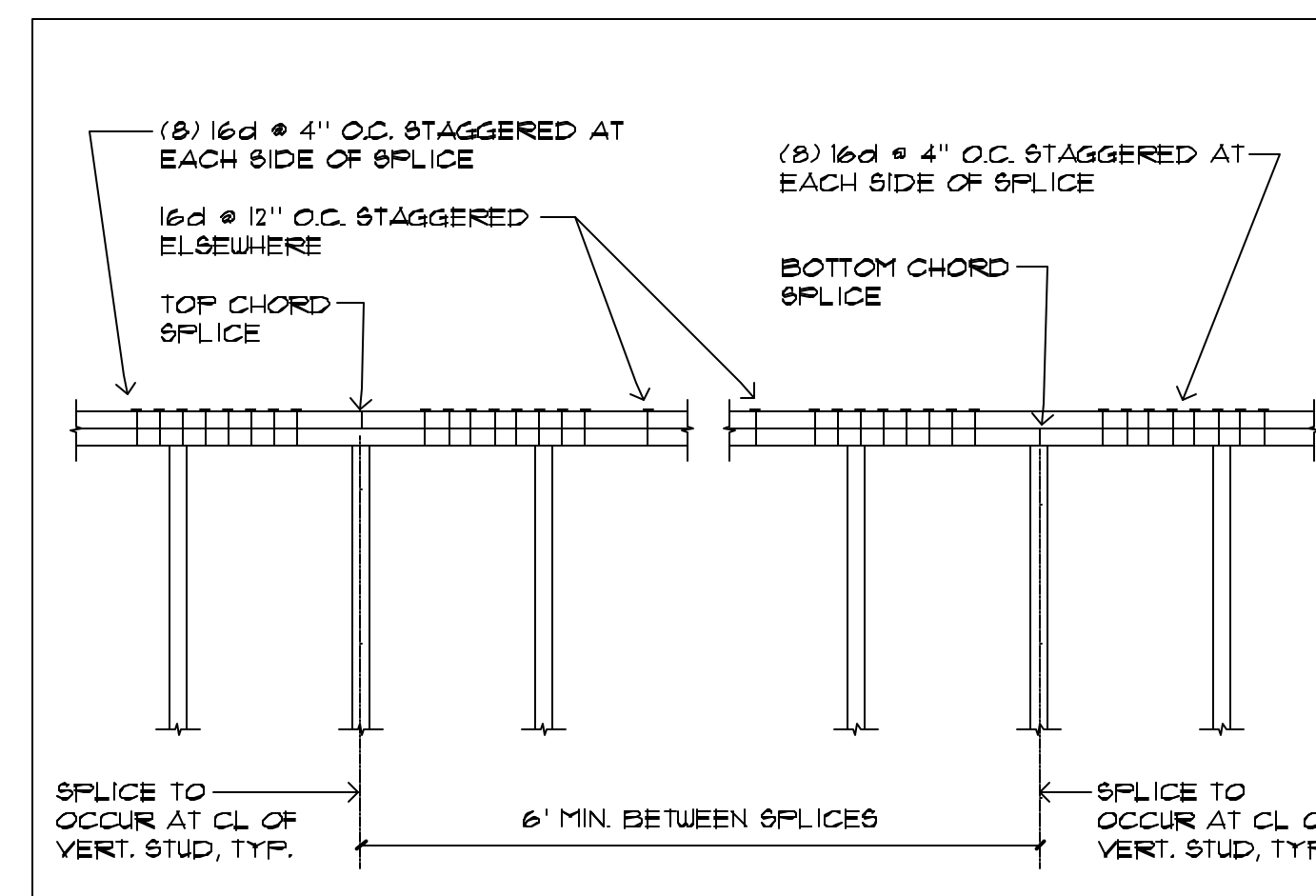
U FRAMING AT ROOF
 3/4" = 1'-0"



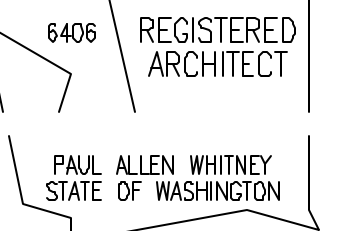
V FRAMING AT ROOF
 3/4" = 1'-0"



W FRAMING AT ROOF
 3/4" = 1'-0"



X TYP. TOP PLATE SPLICE
 3/4" = 1'-0"



DATE ISSUED:
 12/17/2007 PERMIT SET

DATE REVISED:

FILENAME & LOCATION:
 0723-S8.01-2.dwg
 Z:\DATA\DRAWINGS\WHITNEY\Thorpe\30-8-structural\
 PLOTTED:
 04 January 2008 at 12:04 pm

SHEET TITLE:

Permit Documents
 Structural
 Details

SHEET NUMBER:

S8.02

SHEET OF