

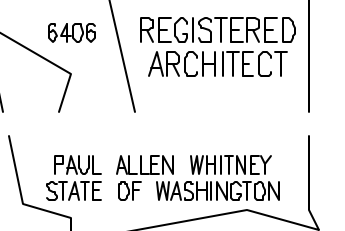


1837 BALLARD WAY SEATTLE WA 98107
WHITNEYARCHITECTURE.COM
206.786.3036 FAX.786.1871

PROJECT:

Thorpe Residence

A New Single-Family Residence
6302 125th Avenue Northeast
Kirkland, WA 98083



DATE ISSUED:

12/17/2007 PERMIT SET

DATE REVISED:

FILENAME & LOCATION:
0723-S8.01-2.dwg
Z:\DATA\DRAWINGS\WHITNEY\Thorpe\30-8-structural\

PLOTTED:
04 January 2008 at 12:03 pm

SHEET TITLE:

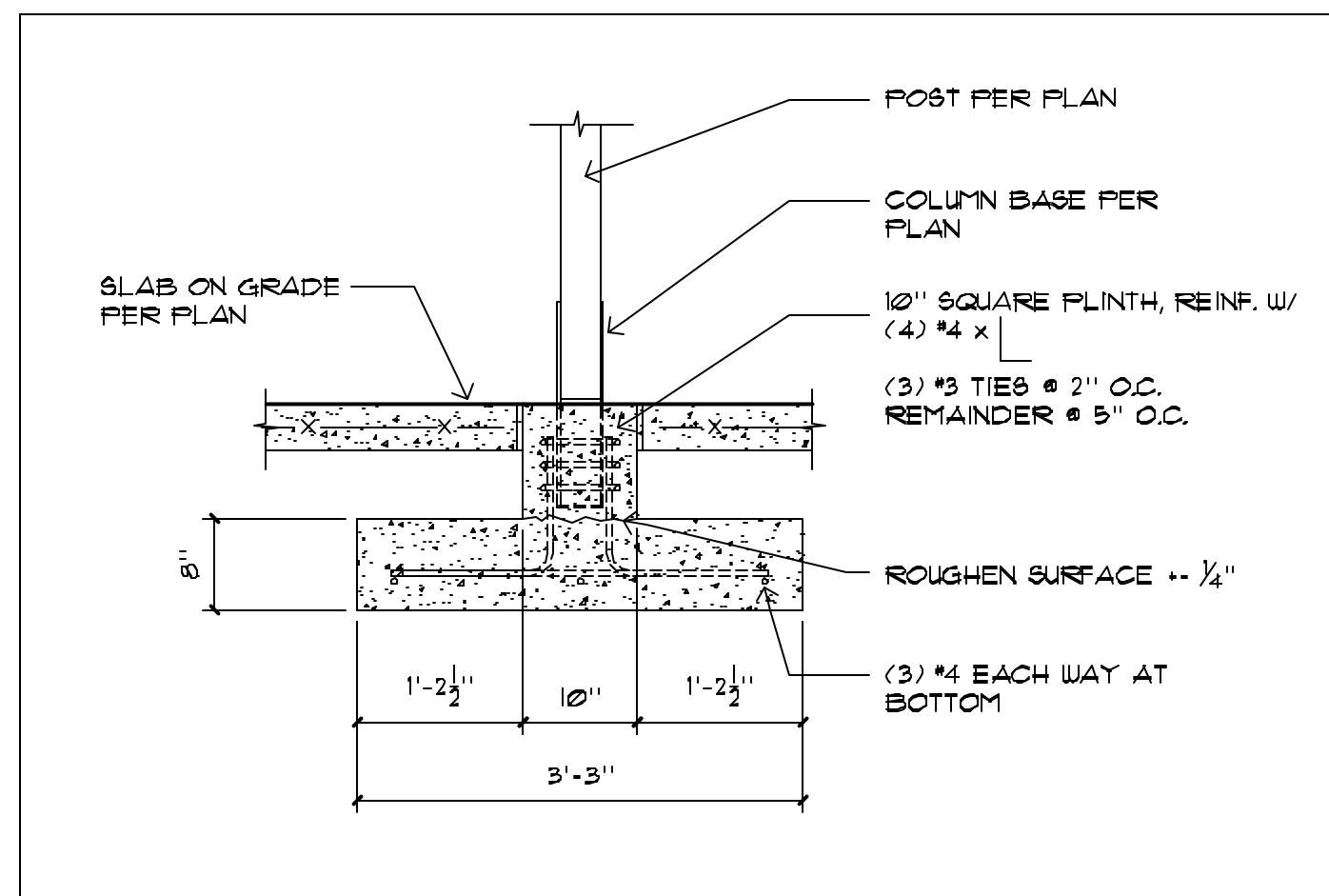
Permit Documents Structural Details

SHEET NUMBER:

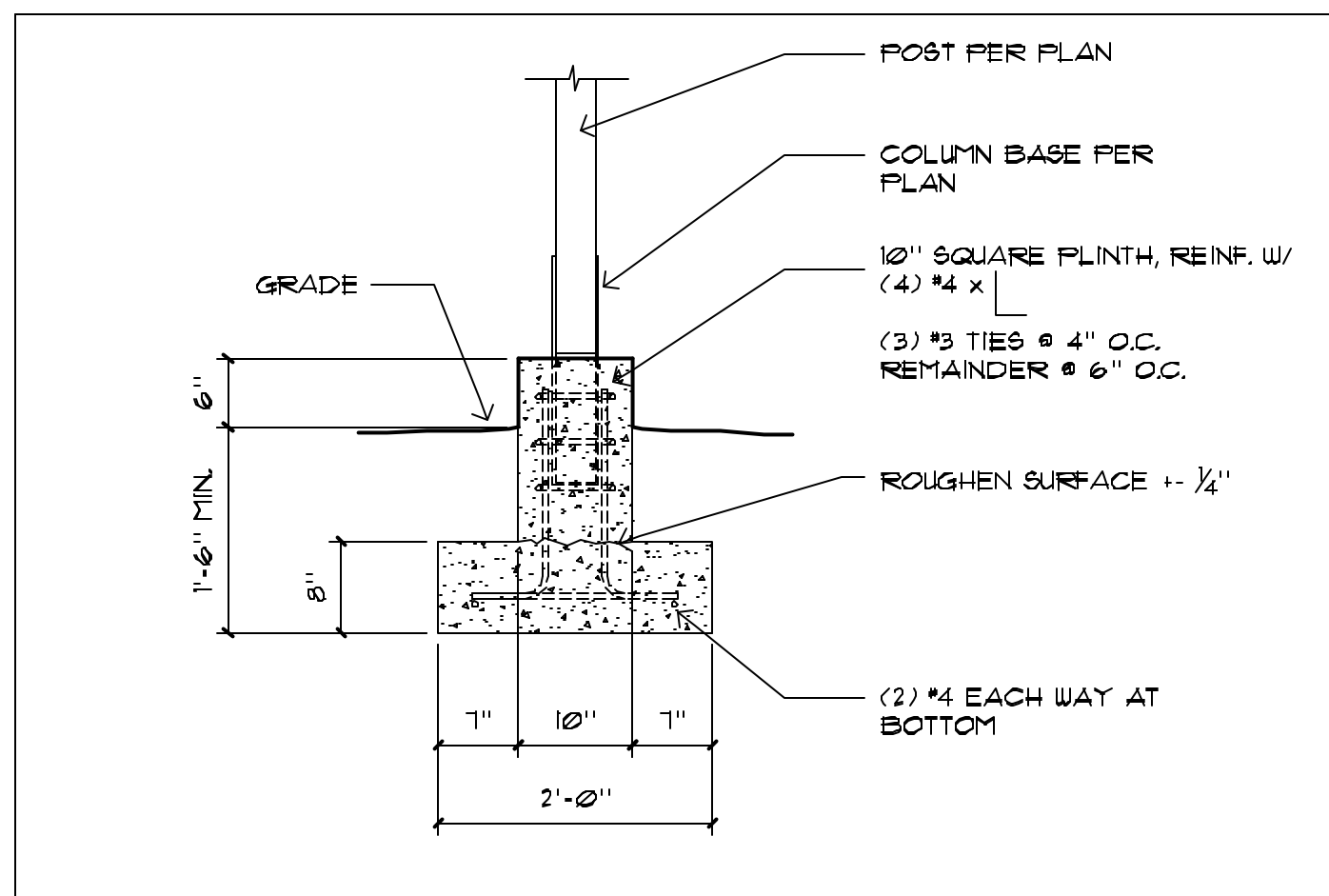
S8.01

SHEET OF

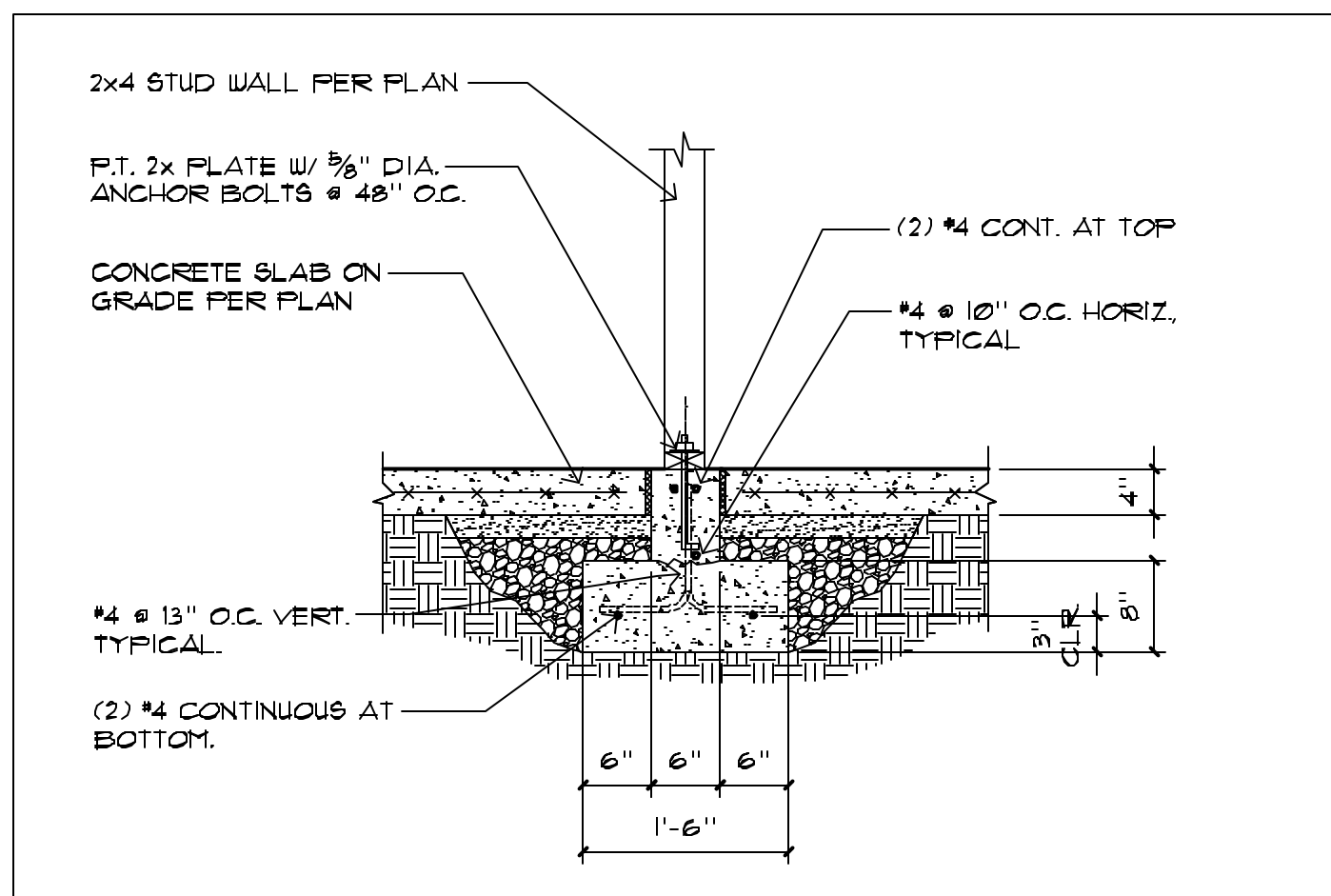
COPYRIGHT 2007-2008
P.A. WHITNEY ARCHITECTURE INC.



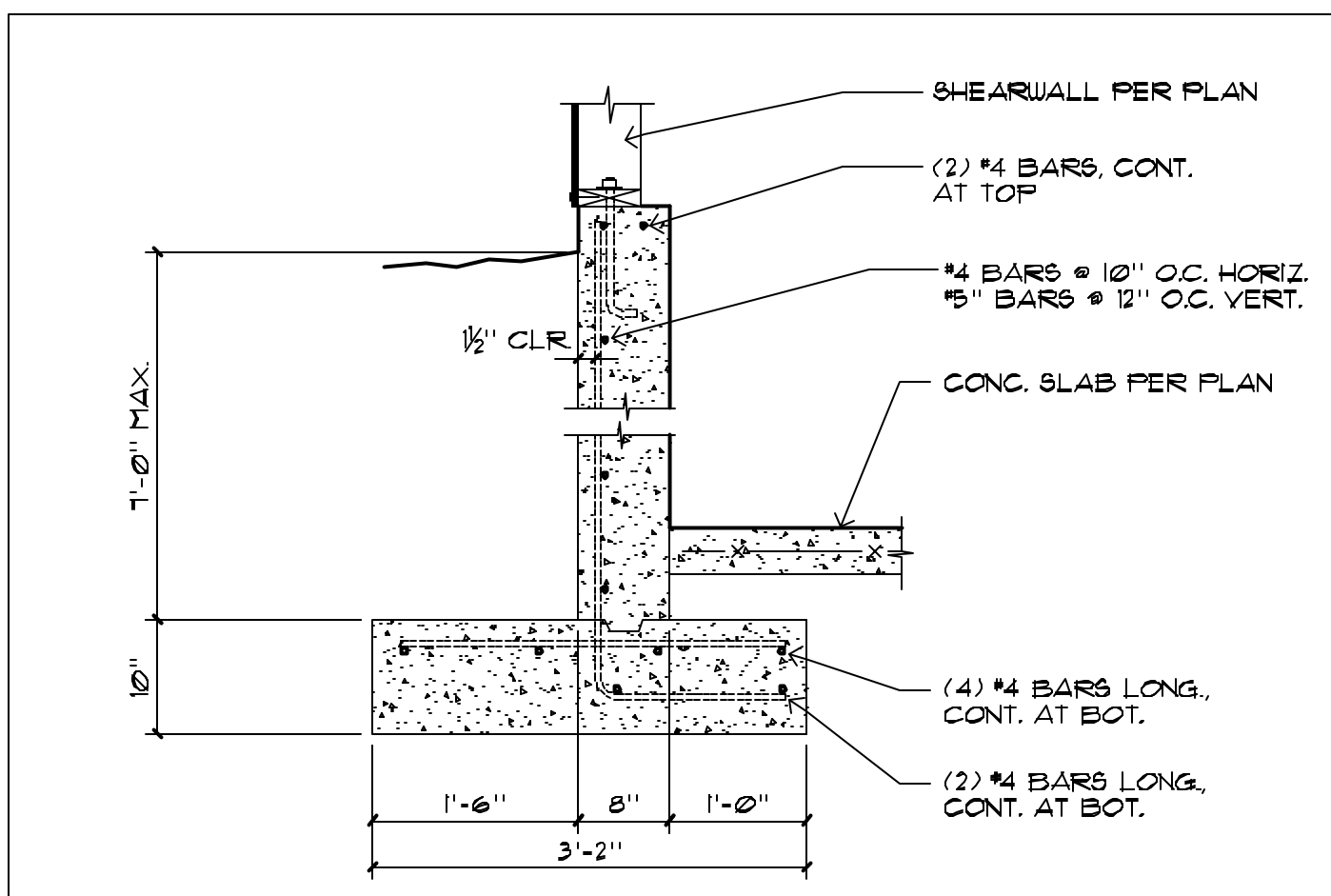
A SPREAD FOOTING
3/4" = 1'-0"



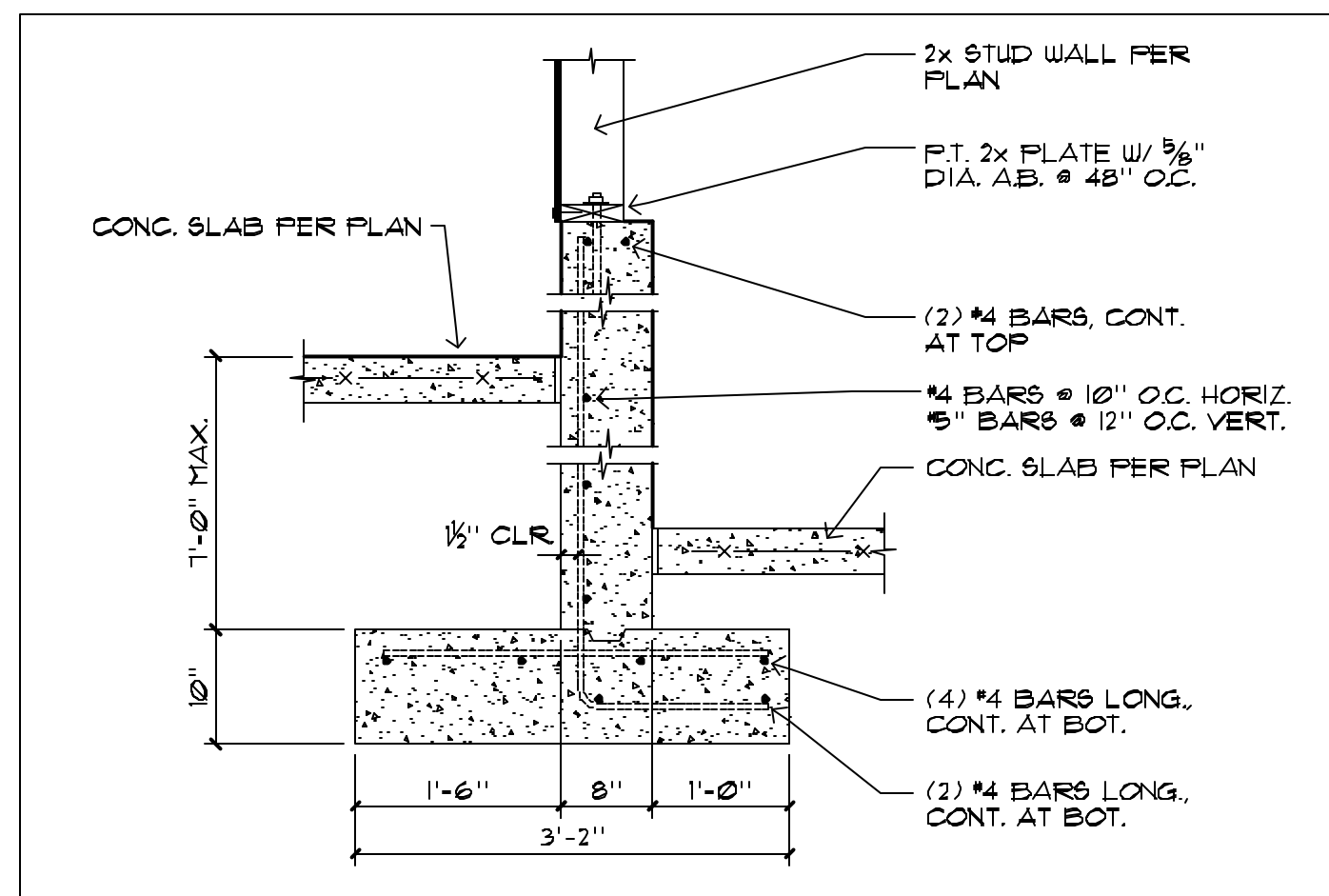
B SPREAD FOOTING
3/4" = 1'-0"



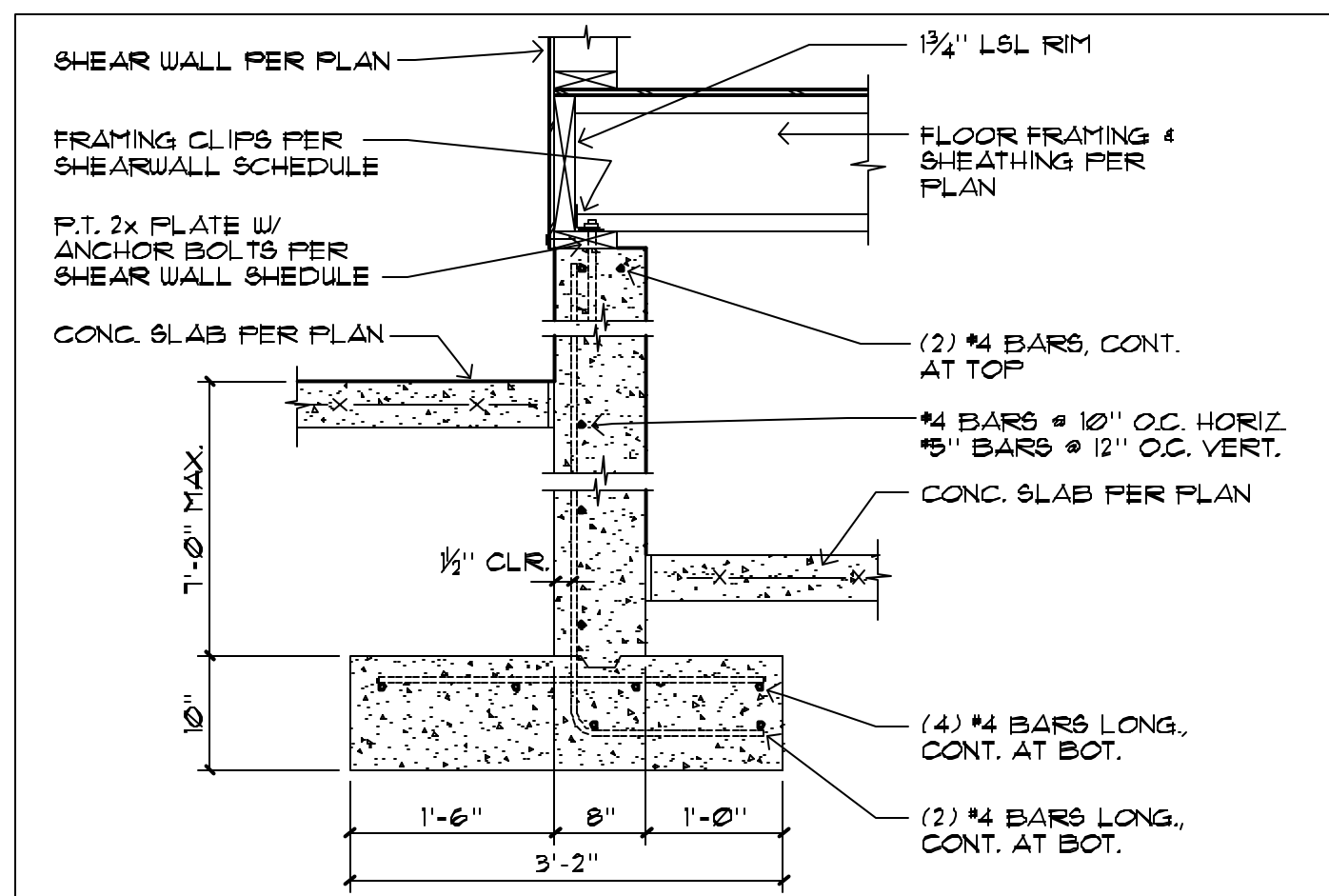
C INTERIOR FOOTING
3/4" = 1'-0"



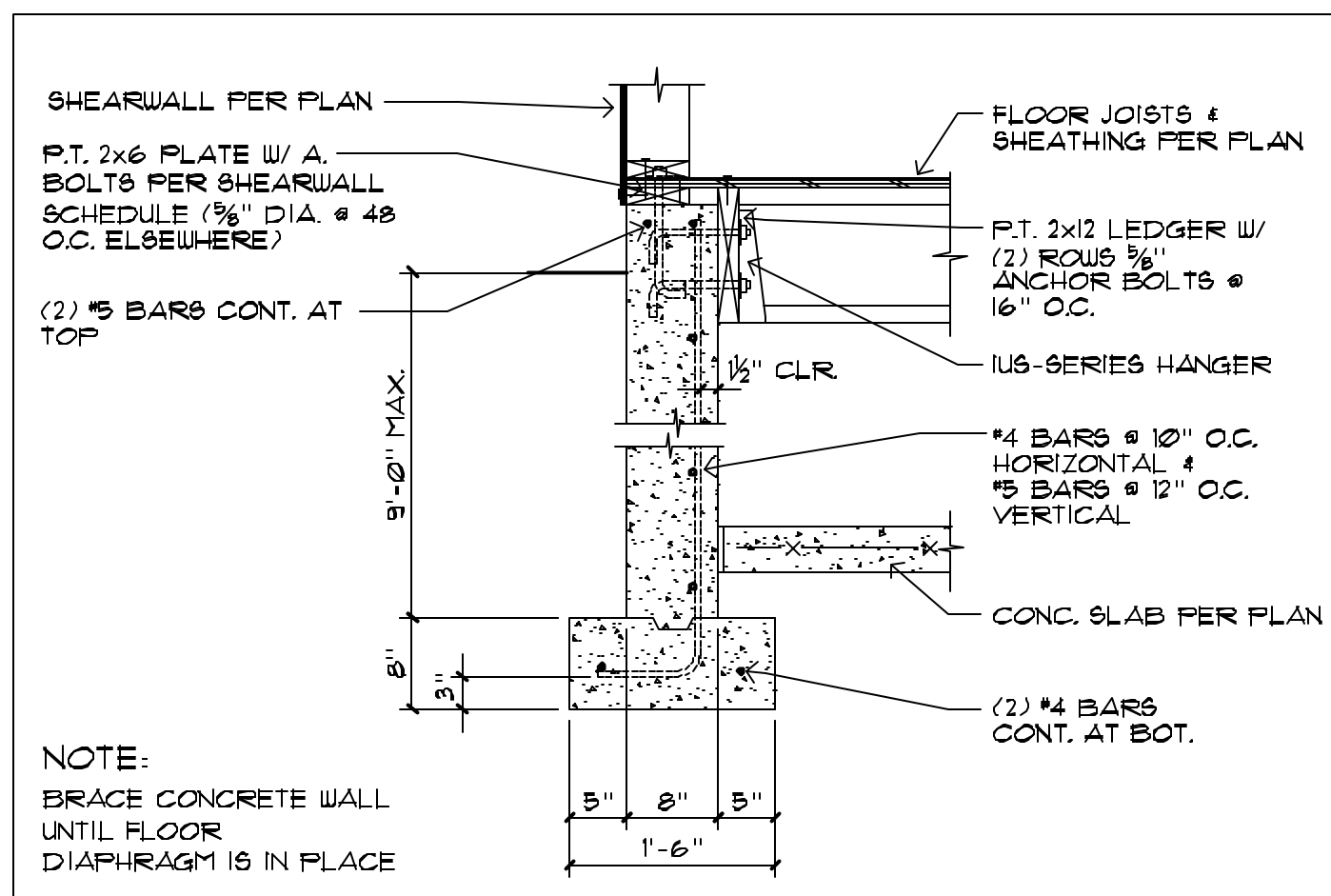
D FOOTING & FOUND. WALL
3/4" = 1'-0"



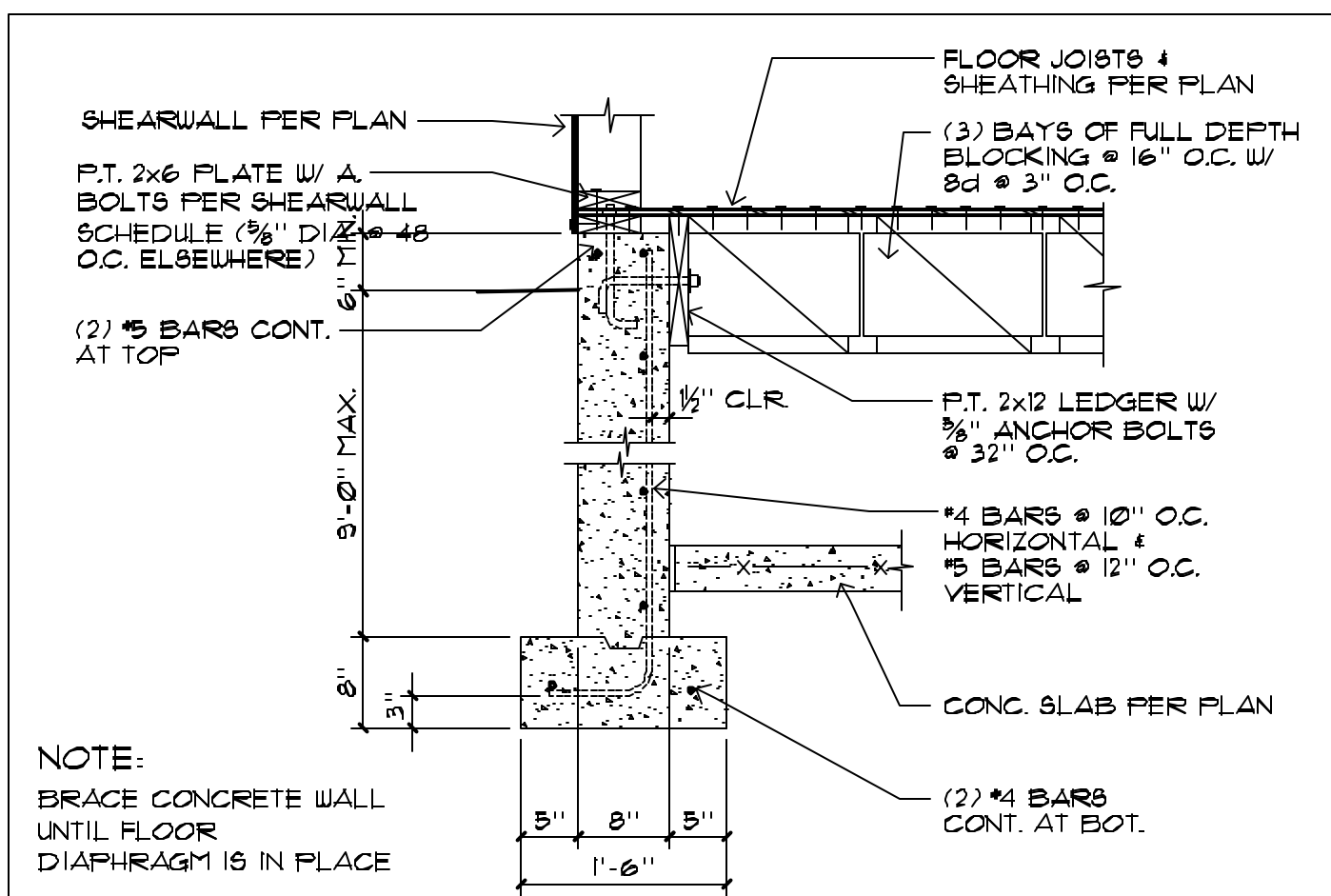
E FOOTING & FOUND. WALL
3/4" = 1'-0"



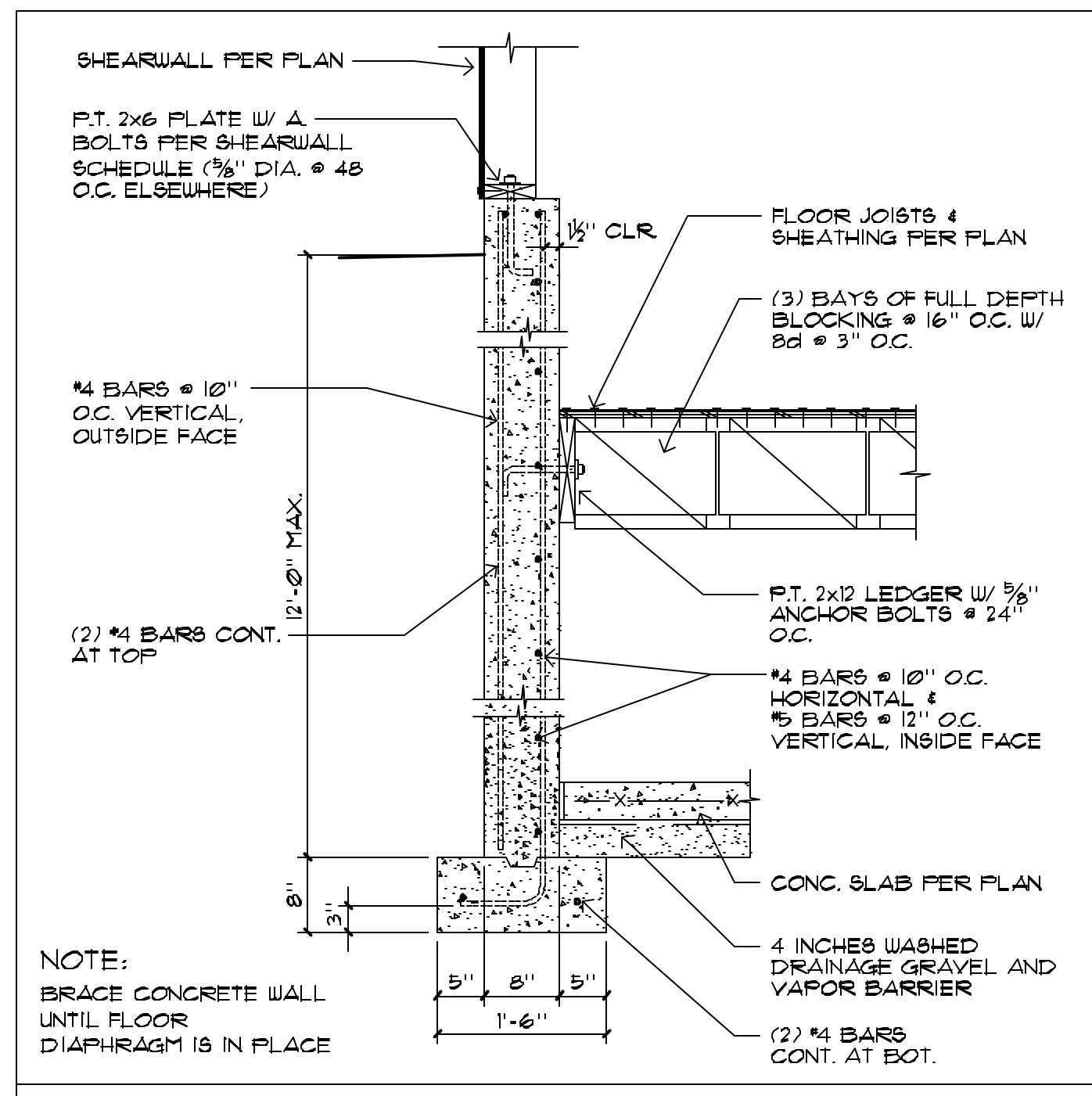
F FOOTING & FOUND. WALL
3/4" = 1'-0"



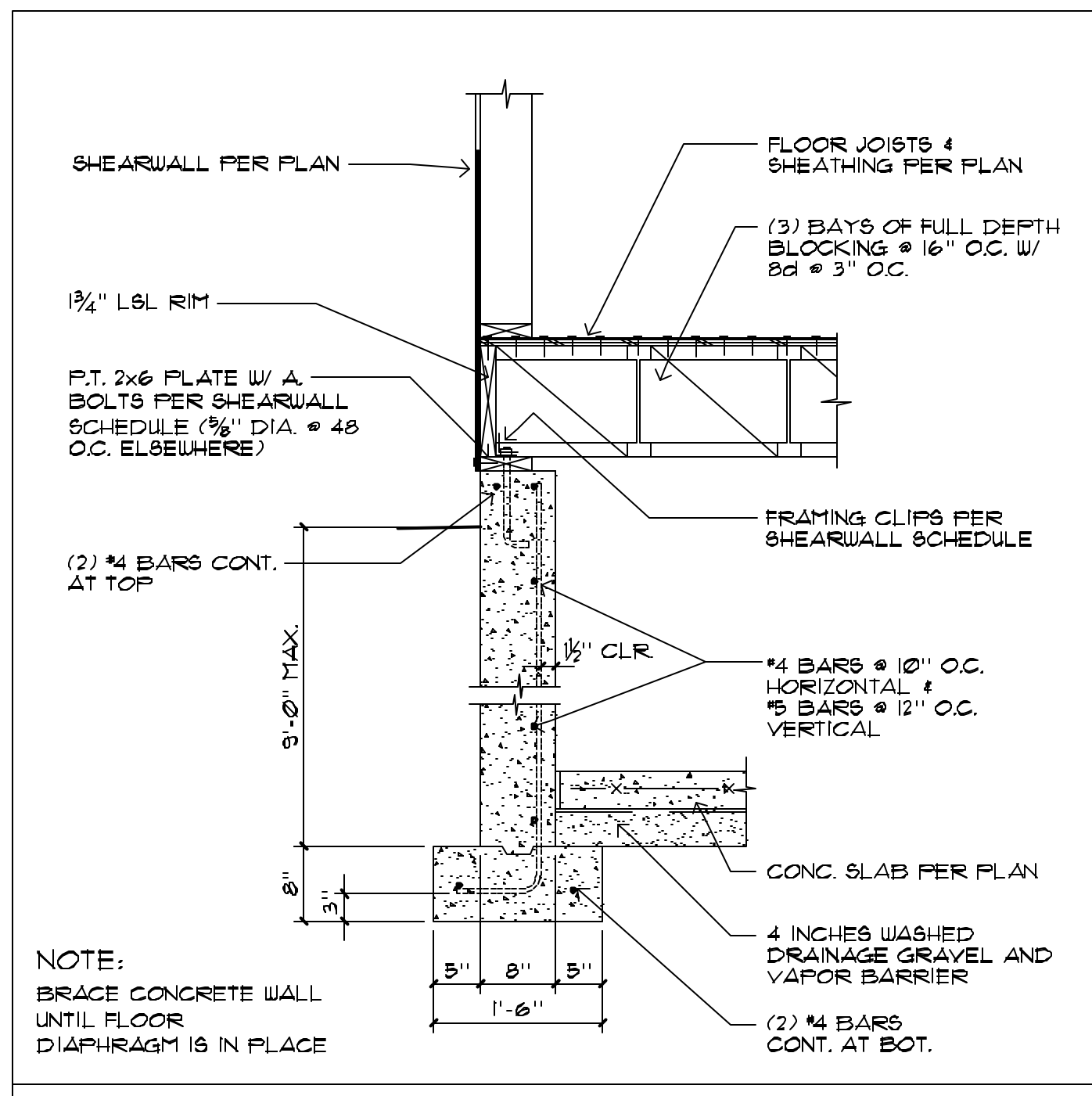
G FOOTING & FOUND. WALL
3/4" = 1'-0"



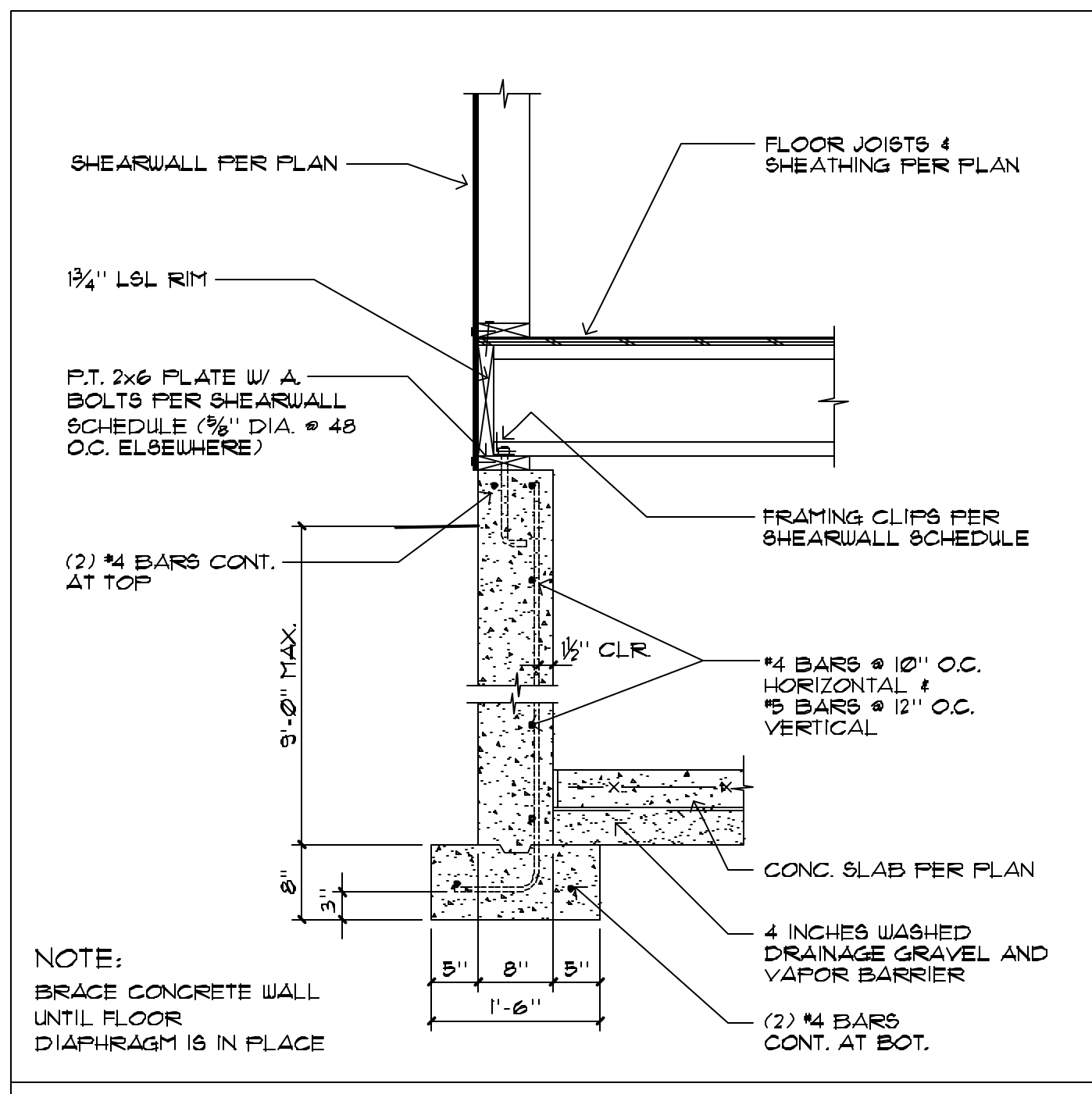
H FOOTING & FOUND. WALL
3/4" = 1'-0"



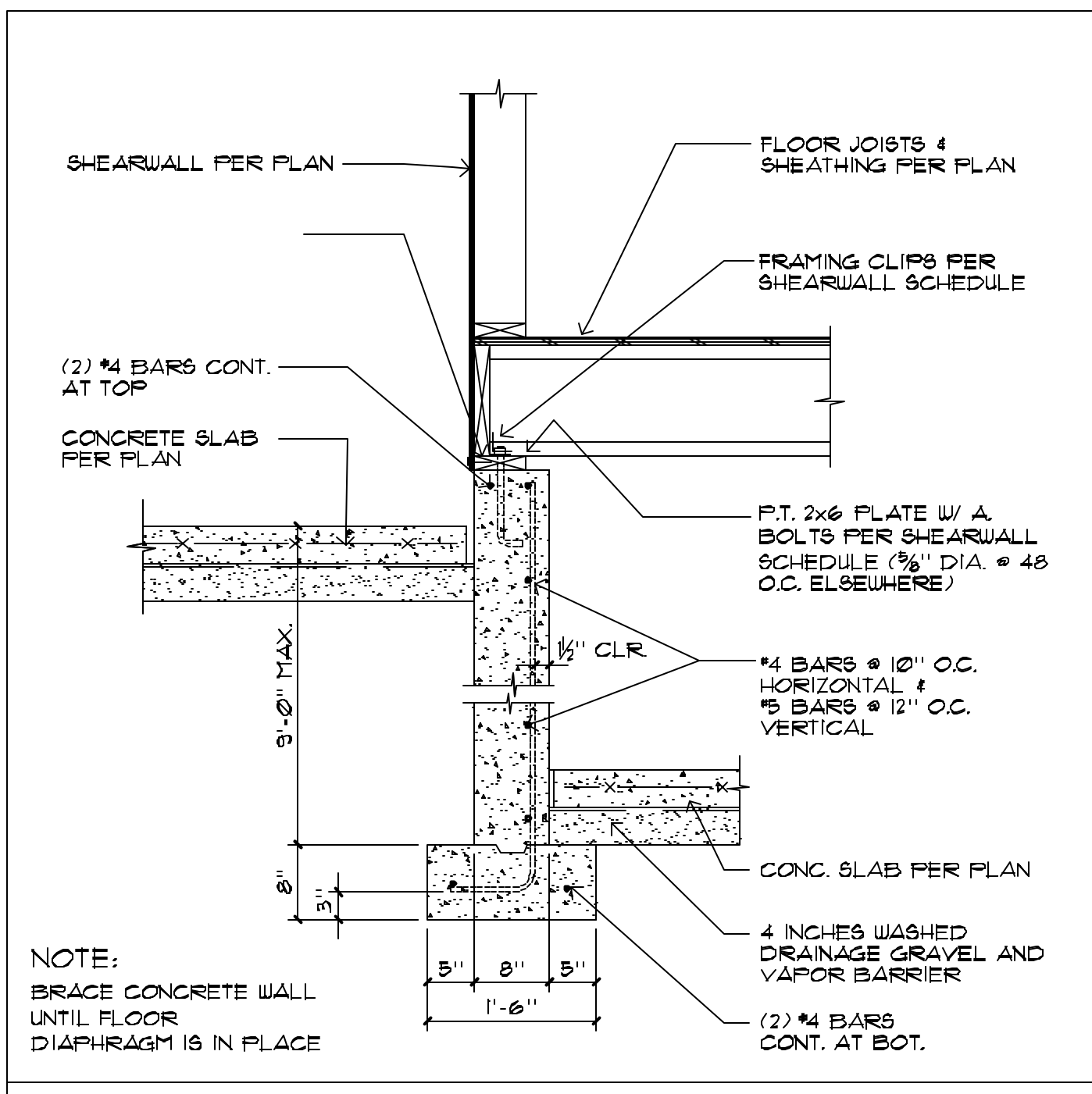
I FOOTING & FOUND. WALL
3/4" = 1'-0"



J FOOTING & FOUND. WALL
3/4" = 1'-0"



K FOOTING & FOUND. WALL
3/4" = 1'-0"



L FOOTING & FOUND. WALL
3/4" = 1'-0"